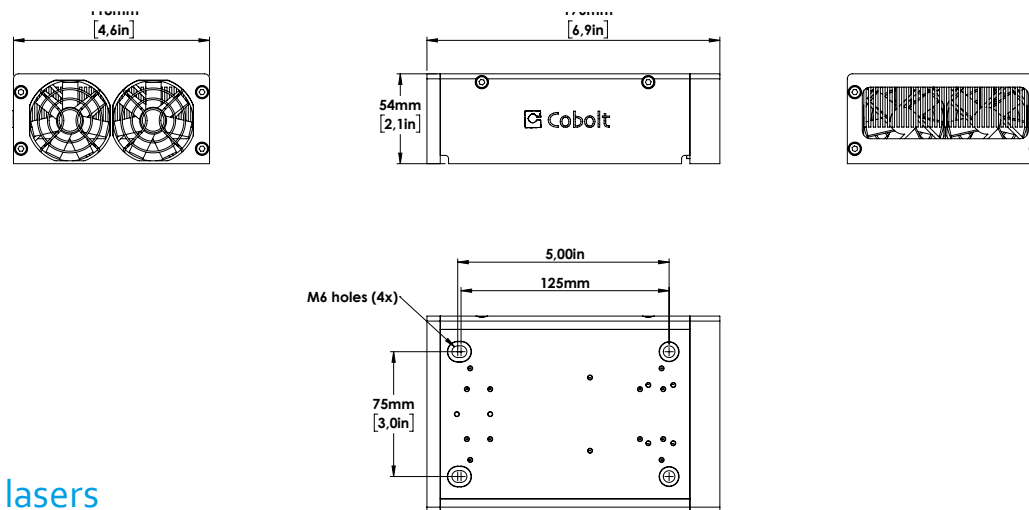


Cobolt HS-04 Heatsink



Heat sink with fans for Cobolt 05-01 Series and Q-switched lasers

Cobolt model number	HS-04
Thermal resistance	< 0.25 K/W
Material	Aluminium
HS-04 is suitable for use with Cobolt 05-01 Series and Q-switched lasers:	Cobolt Zouk™ 355 nm Cobolt Calypso™ 491nm Cobolt Fandango™ 515nm Cobolt Samba™ 532nm Cobolt Jive™ 561nm Cobolt Flamenco™ 660nm Cobolt Rumba™ 1064nm Cobolt Tor™ Cobolt Odin™
Dimensions [mm] [inches]	176 x 117.8 x 54 6.9 x 4.6 x 2.1
Power supply included	

To ensure operation within given specifications and for the warranty to be valid, the Laser Head must be attached to a heatsink providing good thermal resistance. This value is the difference between the maximum operating laser base plate temperature (50°C) and the maximum ambient temperature at the air-heatsink interface (40°C), divided by the maximum power dissipated from the laser head (~50W). The mounting surface should be flat (within 0.05 mm over mounting surface). It is recommended to use a thermal heat compound between the laser head and the heat sink to provide good thermal contact.

The forced air heatsink is designed to accommodate all Cobolt 05-01 Series and Q-switched lasers footprints and can be bolted to a standard metric or imperial optical table.

